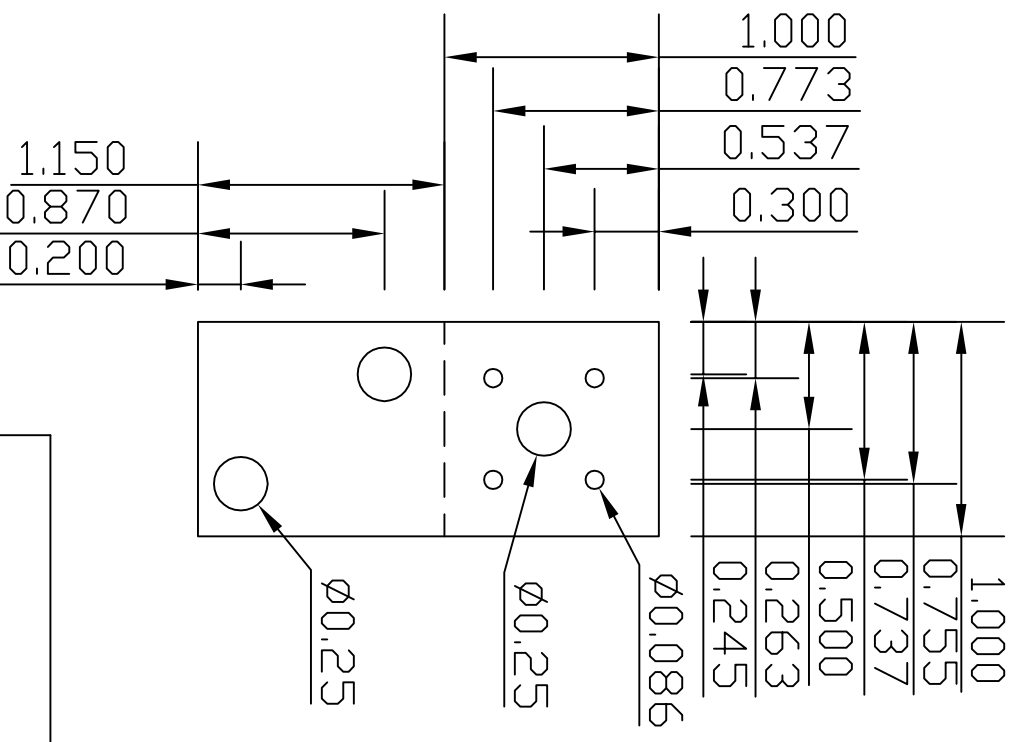


Sheet aluminium, with near 90° bend along dotted line.



ULTRASONIC SENSOR MOUNT

DRAWN BY: IVAN GOURLAY		DATE: MAY 1/07	
QUANTITY: 1		DWG NO.: PHYS420	
UNITS: INCHES		SCALE: FIT	